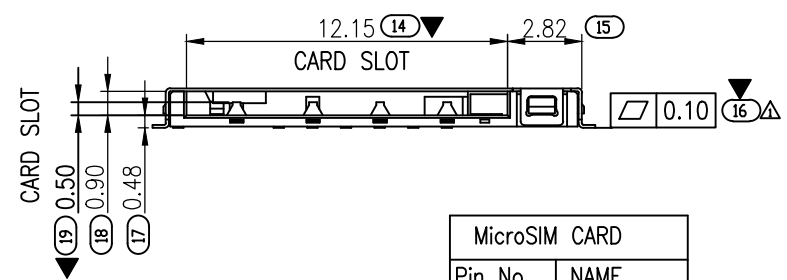
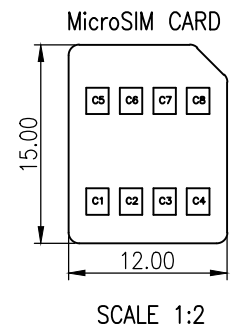
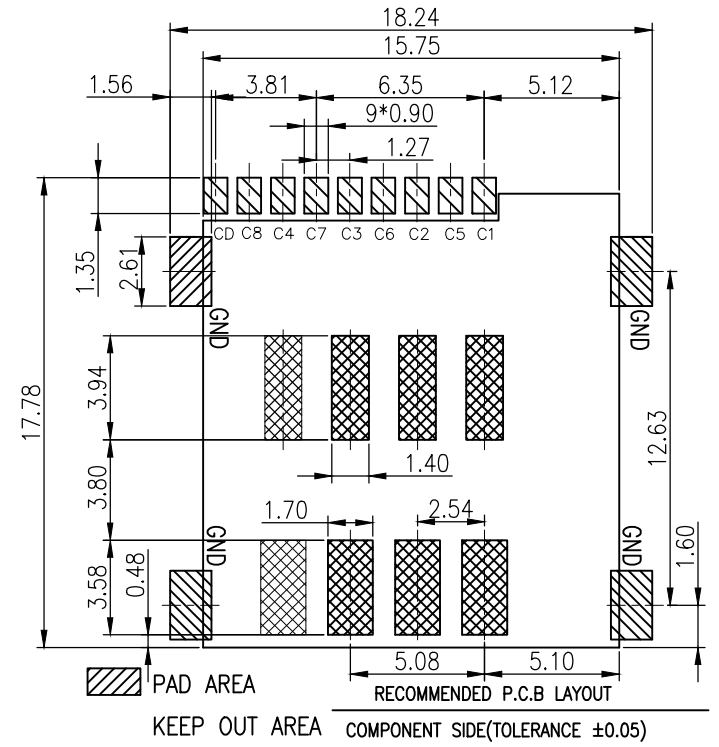
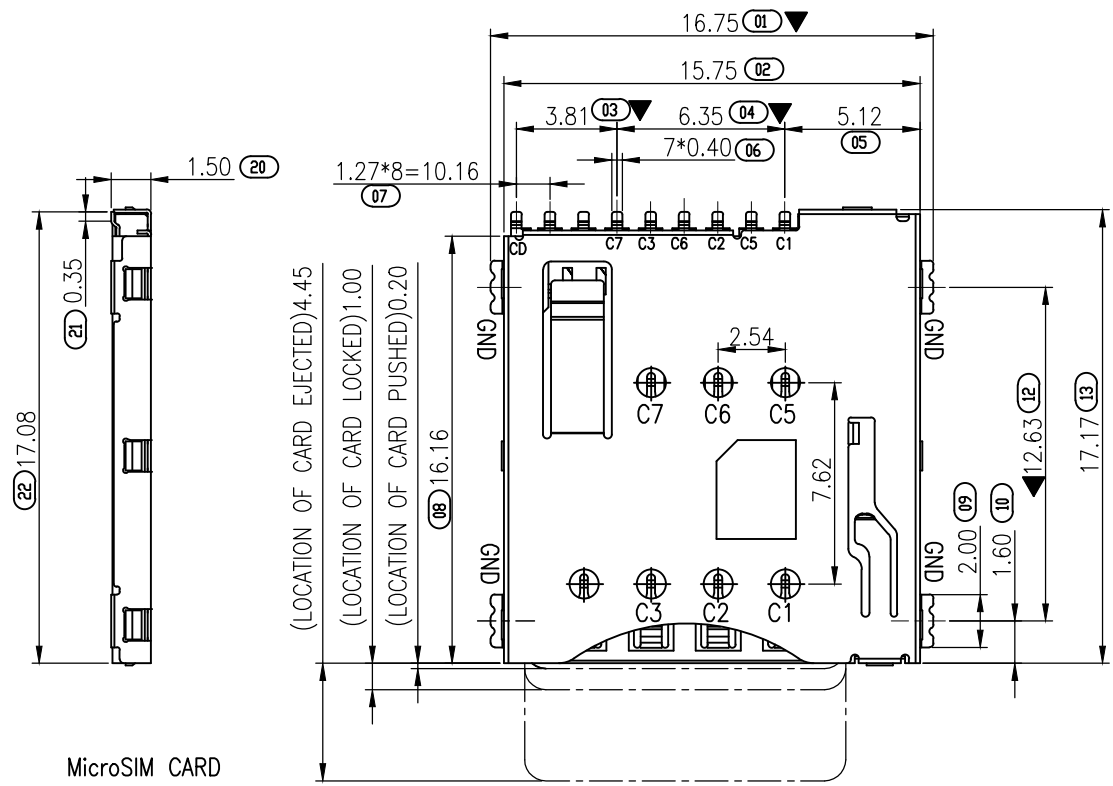
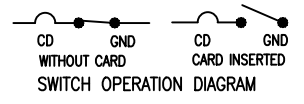


REV.	ECN.NO.	MODIFY.CONTENT	DATE
A		NEW	2016/10/29



- NOTES:
- SPECIALITY:
 - Rated current:1.0A
 - Rated voltage:30V
 - Contact Resistance:50mΩ MAX
 - Insulation Resistance:1000MΩ MIN 500V DC
 - Dielectric withstanding voltage: 500V AC.
 - Solder ability:250±5℃, 5±0.5s.
 - Durability:1500 Cycles Min.
 - Operating condition:Temperature-40℃~+85℃; Humidity 80% R.H MAX
 - PLEASE CONTACT JITS SALES REPRESENTATIVE TO VERIFY PRODUCT DETAILS & AVAILABILITY

ELECTRIC FUNCTION	DETECT SWITCH
WITHOUT CARD	CLOSED
CARD INSERTED	OPEN

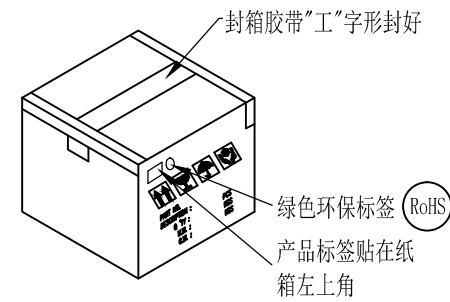
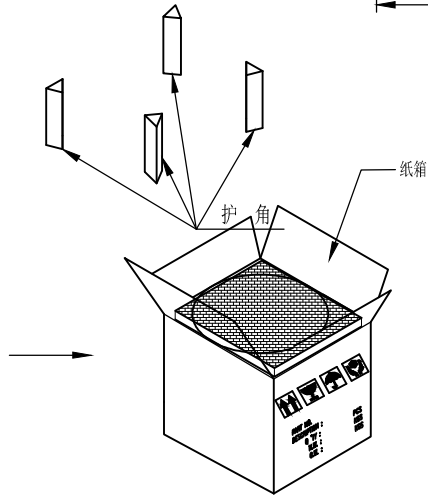
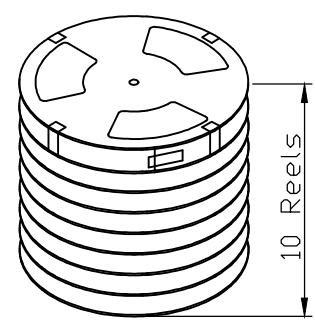
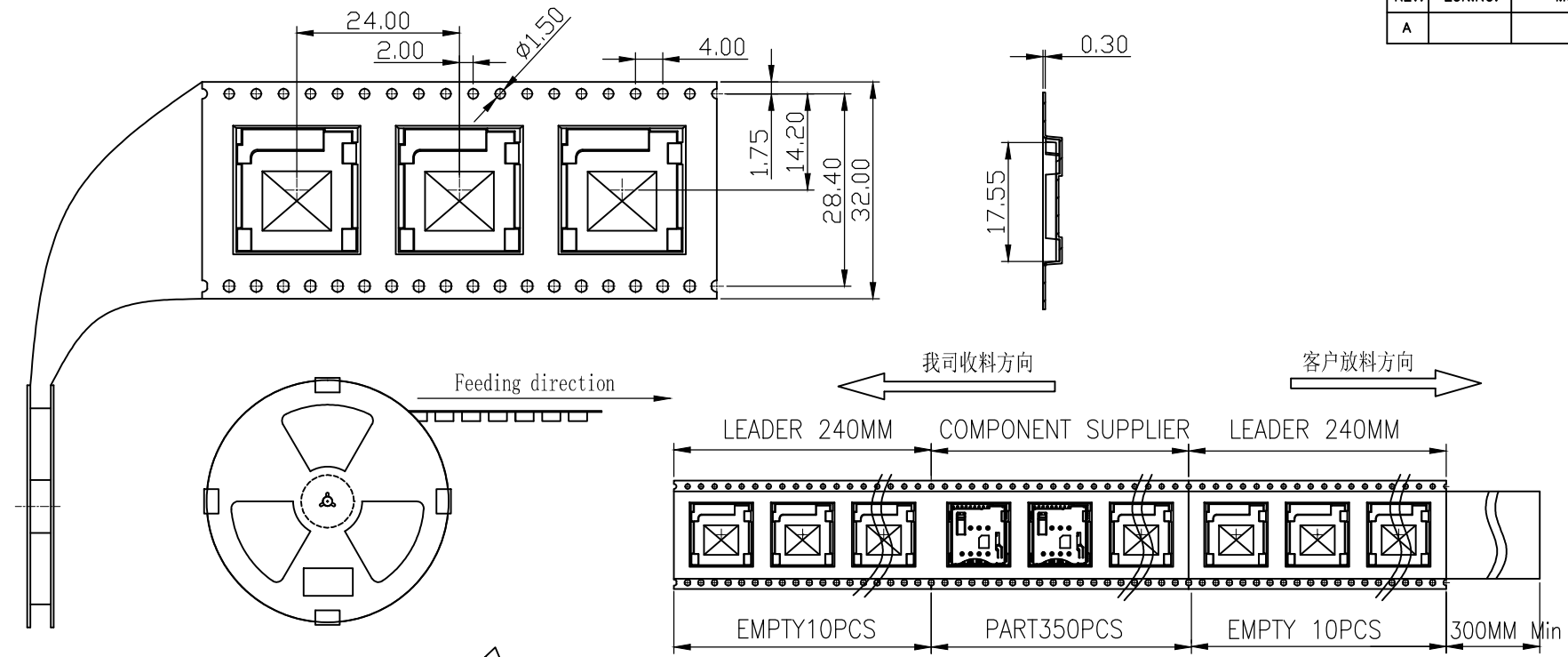


MicroSIM CARD	
Pin No.	NAME
C1	VCC
C2	RST
C3	CLK
C4	Reserved
C5	GND
C6	VPP
C7	I/O
C8	Reserved

7	LINK	1PC	STEEL	PLATE WITH NICKEL
6	SPRING	1PC	SWP-B	PLATE WITH NICKEL
5	Slide	1PC	HI-TEMP THERMOPLASTIC	UL94V-0 BLACK
4	Shell	1PC	STEEL	SMT AREA:GOLD PLATED
3	CD Switch	1PC	COPPER ALLOY	CONTACT AREA:GOLD PLATED
2	Data Contact	1PC	COPPER ALLOY	CONTACT AREA:GOLD PLATED
1	Housing	1PC	HI-TEMP THERMOPLASTIC	UL94V-0 BLACK
NO	Description	Dosage	Material	Color/plating

GENERAL TOLERANCE		DWG NO.	JYSA0529-001	APPD:	WIND	Scale	1:1
X.±0.45	x.±5°	Title	1.5H 9PIN PUSH MICRO SIM CARD CONNIEOR	CHKD:		UNIT	mm
.X±0.35	.x'±2°	Part NO.	JYS-SIM150-127	DR:			
.XX±0.25	.xx'±1°	Date	2016/10/29				
.XXX±0.15	.xxx'±0.5°						
SHEET	1/2	JYSCONN Shenzhen JYSCONN Electronics Co., LTD.					

REV.	ECN.NO.	MODIFY.CONTENT	DATE
A		NEW	2016/10/29



QUANTITY OF PER REEL	1000PCS/REEL
QUANTITY OF PER CARTON	10*1000=10000PCS/CARTON

GENERAL TOLERANCE		DWG NO.	JYSA0529-001	APPD:	WIND	Scale	1:1
X.±0.45	x.±5'	Title	1.5H 9PIN PUSH MICRO SIM CARD CONNECIOR	CHKD:		UNIT	mm
.X±0.35	.x'±2'			DR:			
.XX±0.25	.xx'±1'	Part NO.	包装图	Date	2016/10/29		
.XXX±0.15	.xxx'±0.5'						
SHEET	2/2			JYSCONN Shenzhen JYSCONN Electronics Co., LTD.			