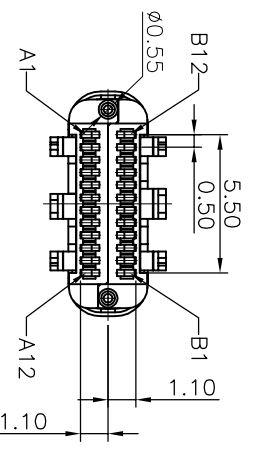
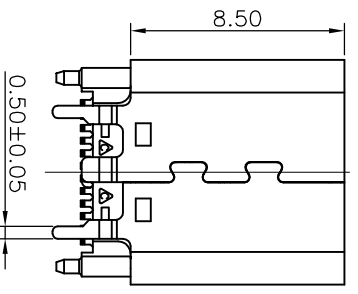
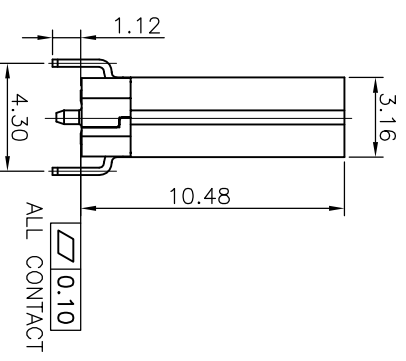
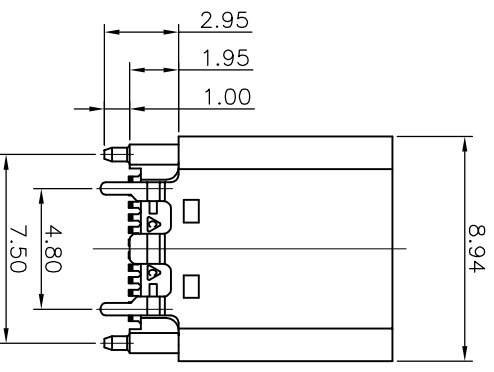
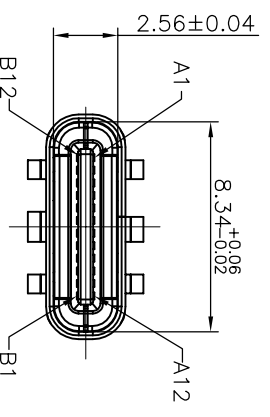


REV.	EGN.NO.	MODIFY CONTENT	DATE
A		NEW	2017/10/31



NOTE:
 1.MATERIAL SPECIFICATION:
 1.HOUSING:ICP,U194 V-0.
 2.TERMINAL: COPPER ALLOY
 3.MID PLATE: STAINLESS STEEL
 4.FRONT SHELL: STAINLESS STEEL
 5.EMI PLATE: STAINLESS STEEL
 2.PLATING SPECIFICATION:
 2-1.TERMINAL:
 Ni: 50u" MIN. UNDER PLATED OVER ALL.
 Au PLATED ON THE FUNCTIONAL AREA OF CONTACT.
 (GOLD PLATING THICKNESS FOLLOW THE P/N)
 PLATING SPECIFICATIONS OF THE SOLDER AREA FOLLOW THE P/N

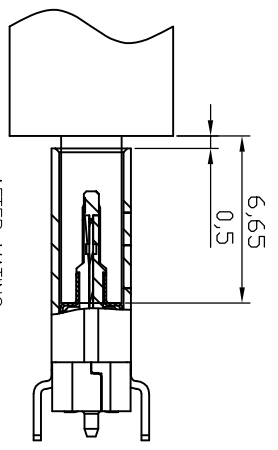
2-2.FRONT SHELL:
 PLATING SPECIFICATIONS FOLLOW THE NICKEL ALL OVER
 2-3.MID PLATE&EMI PLATE:
 CLEAR ONLY
 3.MECHANICAL PERFORMANCE:
 3-1.INSERTION FORCE: 0.5~2.0kgf.
 3-2.REMOVAL FORCE: 0.8kgf~2.0kgf.
 3-3.DURABILITY: 10000 CYCLES.
 4.ELECTRICAL PERFORMANCE,
 4-1. VOLTAGE RATING:5 V DC/AC (RMS, max)
 CURRENT RATING:5 AMPS. FOR TOTAL VBUS/GND PINS;
 1.25AMPS FOR CC PIN,0.25 AMPS. FOR ALL OTHER CONTACT.
 4-2. ILCR:
 VBUS & GND PINS AND OTHER PINS: 40mΩ/PIN MAX.
 SHIELD: 50mΩ/MAX.
 ILCR MAX. CHANGE OF ALL PINS: 10mΩ.
 4-3.INSULATION RESISTANCE: 100MΩ MIN
 4-4.DIELECTRIC WITHSTAND VOLTAGE:AC 100V FOR 1 MINUTE.
 5. ENVIRONMENTAL PERFORMANCE:
 OPERATING TEMPERATURE: -25C~+85C.
 6.IR REFLOW:
 THE PEAK TEMPERATURE ON THE BOARD SHALL
 BE MAINTAINED FOR 10 SECONDS AT 260°C.

GENERAL TOLERANCE		DWG NO.	APPD:	WIND	Scale
X±0.45	x:±5'	JYSA1014-03	CHKD:		1:1
X±0.35	x'±2"	USB TYPE-C 24PIN 直立式 10.35 CONN	DR:		mm
.XX±0.25	.xx'±1'	Part NO. JYS-USB430-028	Date	2017/10/31	
.XXX±0.15	.xxx'±0.5'				
SHEET	1/3				



深圳市杰宇森电子有限公司
 Shenzhen JieYuSen electronic co., LTD.

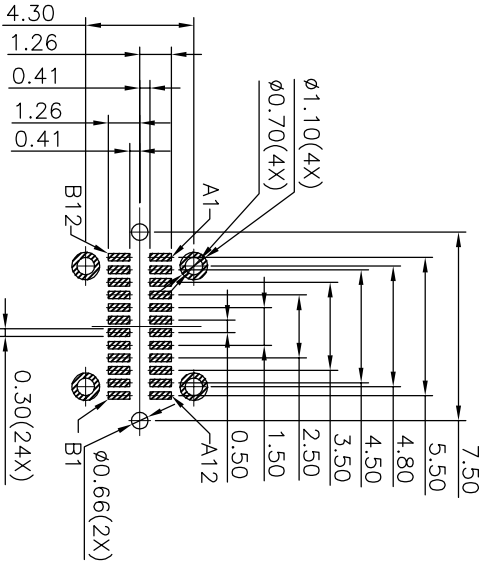
REV.	EGN.NO.	MODIFY CONTENT	DATE
A		NEW	2017/10/31



AFTER MATING

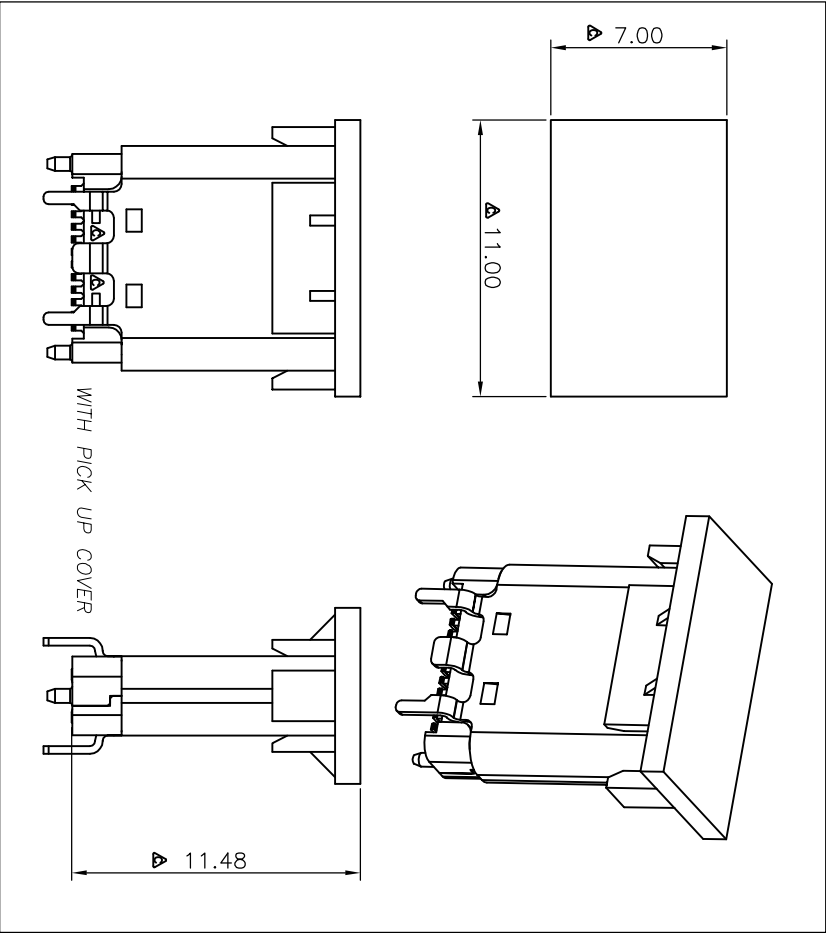
USB TYPE-C PIN ASSIGNMENTS

PIN NUMBER	SIGNAL NAME	PIN NUMBER	SIGNAL NAME
A1	GND	B12	GND
A2	SSTXp1	B11	SSRXp1
A3	SSTXn1	B10	SSRXn1
A4	Vbus	B9	Vbus
A5	CC1	B8	SRU2
A6	Dp1	B7	Dn2
A7	Dn1	B6	CC2
A8	SBU1	B5	CC1
A9	Vbus	B4	VBUS
A10	SSRXn2	B3	SSTXn2
A11	SSRXp2	B2	SSTXp2
A12	GND	B1	GND



RECOMMENDED PCB LAYOUT(TOP VIEW)

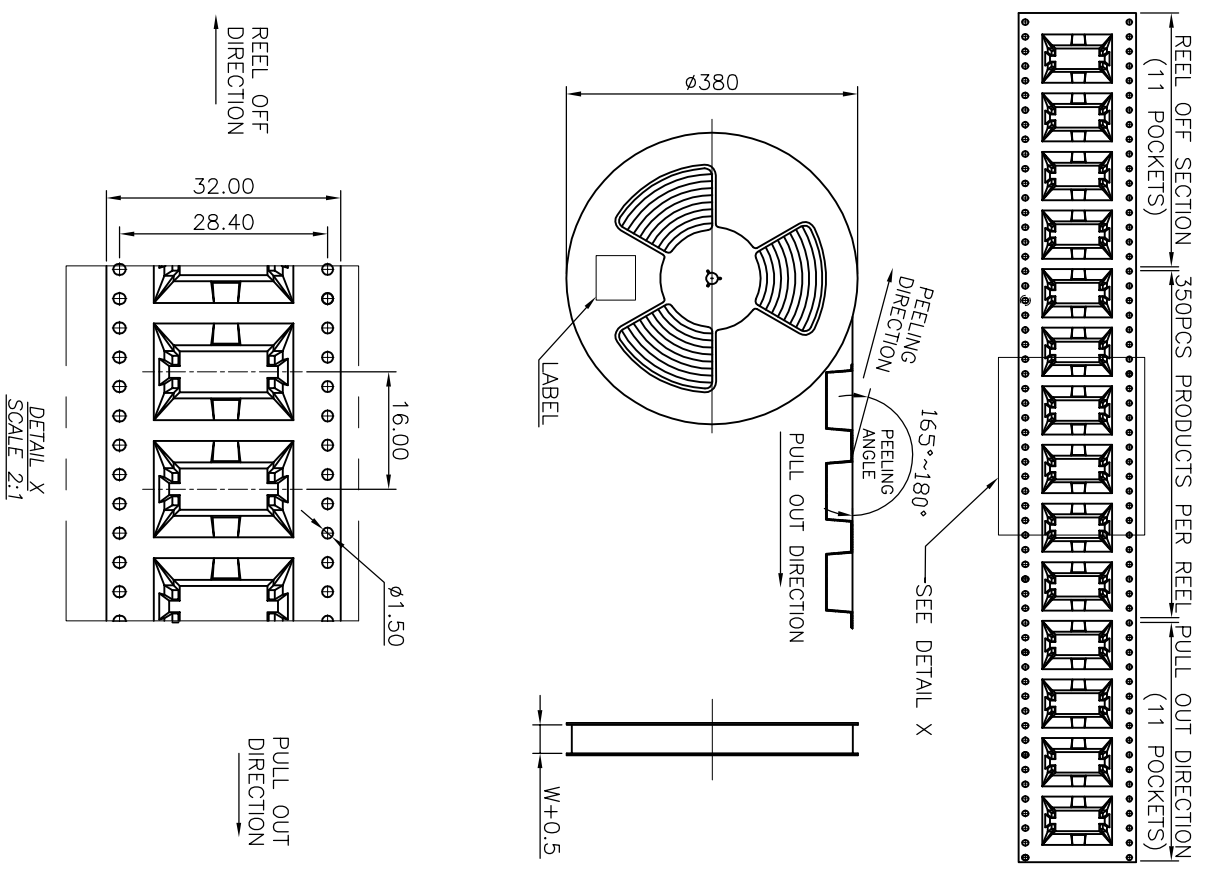
DEFAULT TOLERANCE:±0.05



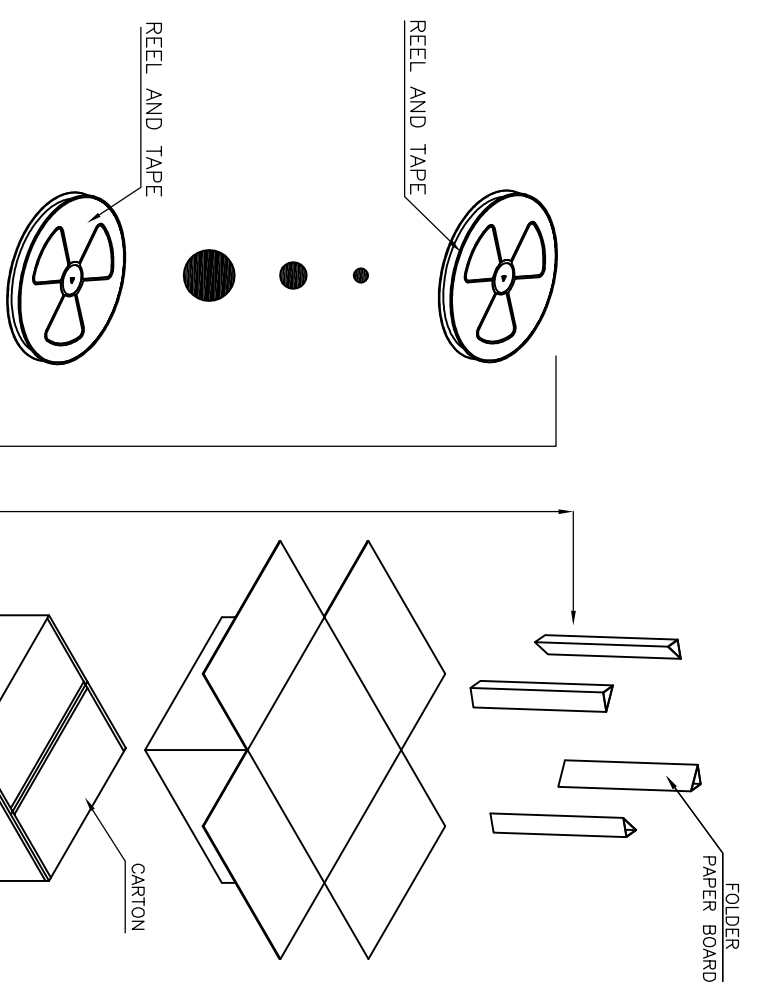
GENERAL TOLERANCE		DWG NO.	JYSA1014-03	APPD:	WIND	Scale	1:1
X±0.45	x:±5'	Title	USB TYPE-C 24PIN 直立式 10.35 CONN	CHKD:		UNIT	mm
X±0.35	x:±2'			DR:			
.XX±0.25	.xx±1'	Part NO.	JYS-USB430-028	Date	2017/10/31		
.XXX±0.15	.xxx±0.5'						
SHEET	2/3						



深圳市杰宇森电子有限公司
Shenzhen JieYuSen electronic co., LTD.



DETAIL X
SCALE 2:1



REV.	EGN.NO.	MODIFY/CONTENT	DATE
A		NEW	2017/10/31

CONNECTOR (Pcs)	REEL/TRAY	CARTON
	350	3500

GENERAL TOLERANCE	DWG NO.	APPD:	WIND	Scale
X \pm 0.45	JYSA1014-03			1:1
X \pm 0.35		CHKD:		UNIT
.XX \pm 0.25		DR:		mm
.XXX \pm 0.15		Date	2017/10/31	
SHEET 3/3				

USB TYPE-C 24PIN 直立式
10.35 CONN

JYS-USB430-028

jyscom
深圳市杰宇森电子有限公司
Shenzhen JieYuSen electronic co., LTD.