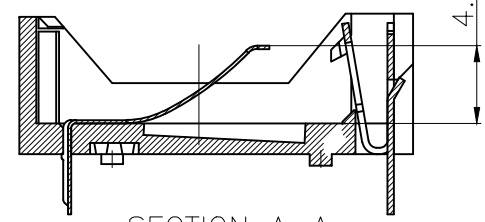
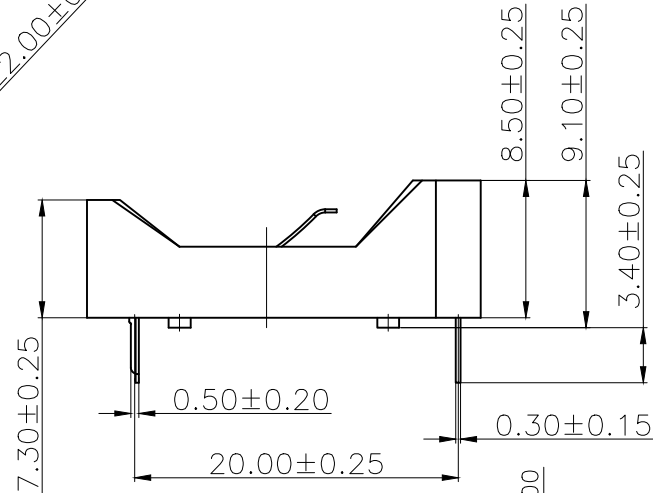
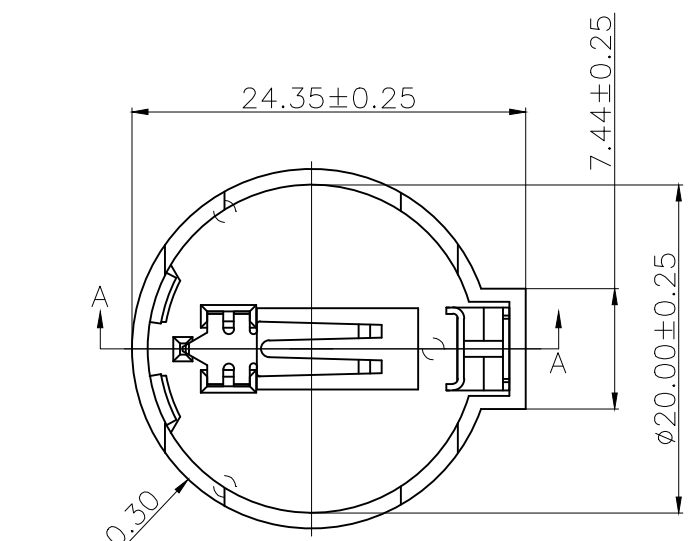
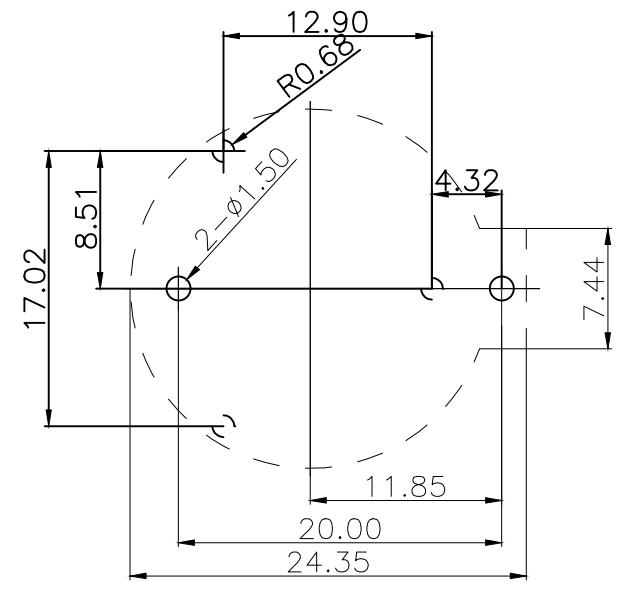
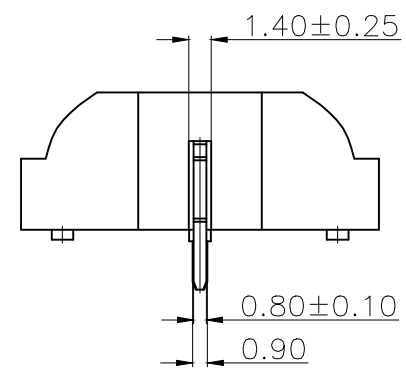


REV.	ECN.NO.	MODIFY.CONTENT	DATE
A		NEW	2012/02/29



SECTION A-A



RECOMMENDED PC BOARD LAYOUT
TOLERANCE:±0.05

NOTES:

MATERIAL:

HOUSING:PBT,UL94V-0,COLOR:BLACK

CONTACT:PHOSPHOR BRONZE

FINISH:

CONTACT:(1)100U"MIN TIN PLATED ALL OVER.

50u" MIN. NICKEL UNDERPLATED ALL OVER.

(2)GOLD 1U" PLATED OVER

50u" MIN. NICKEL UNDERPLATED ALL OVER.

SPECIFICATION:

CURRENT RATING:1 AMP. MAX.

DIELECTRIC WITHSTAND VOLTAGE:600V AC R.M.S. FOR 1 MINTUE.

INSULATION RESISTANCE:1,000MΩ MIN.AT 50V DC.

OPERATING TEMPERATURE:-55°C TO +105°C.

GENERAL TOLERANCE		DWG NO.	JYSA1018-01	APPD:	WIND	Scale	1:1
X.±0.45	x.'±5'	Title	BATTERY HOLDER SREIES ASS'Y	CHKD:		UNIT	mm
.X±0.35	.x'±2'			DR:			
.XX±0.25	.xx'±1'	Part NO.	JYS-BY850-186	Date	2012/02/29		
.XXX±0.15	.xxx'±0.5'						
SHEET	1/1	JYSCONN Electronics Co., LTD.					