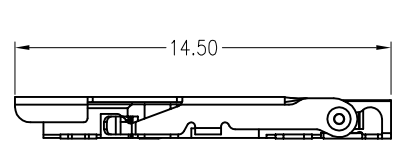
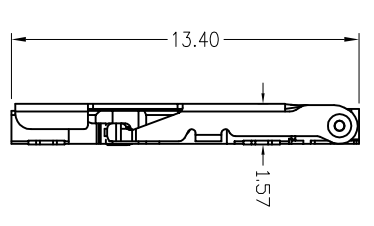
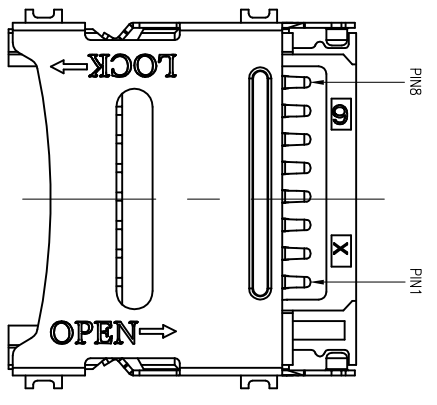
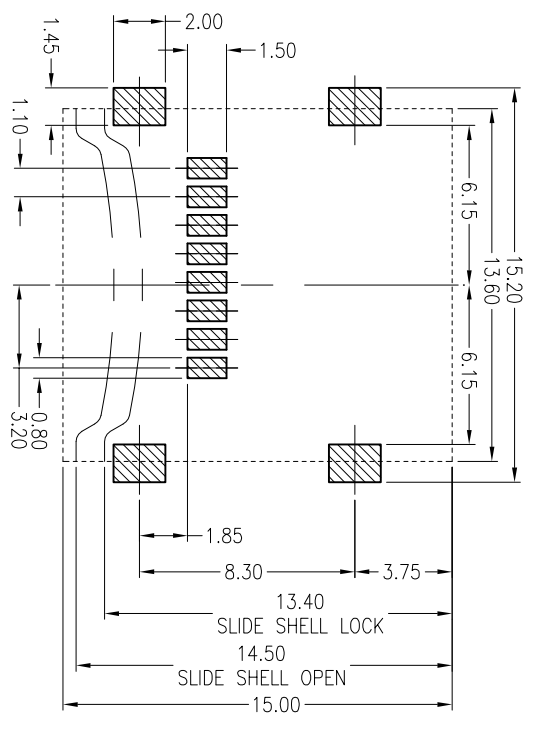


REV.	EGN.NO.	MODIFY CONTENT	DATE
A		NEW	2011/10/31

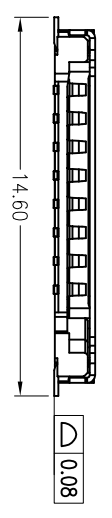


SLIDE SHELL OPEN

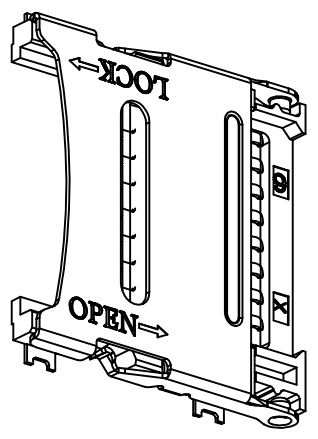
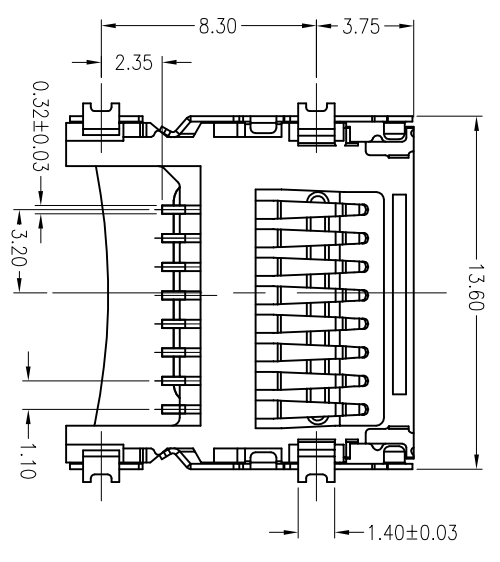
SLIDE SHELL LOCK



RECOMMENDED PCB LAYOUT




产品外形 焊盘



- MATERIALS**
- HOUSING : HI-TEMP PLASTIC UL 94V-0.
  - TERMINAL: COPPER ALLOY.
- PLATING: GOLD PLATED ON CONTACT AREA.  
G/F GOLD PLATED ON SOLDER TAILS.
- SHELL : STAINLESS STEEL.
  - PLATING : 50u" NICKEL UNDER, 100u" TIN OVERALL.
- SPECIFICATION**
- CURRENT RATING : 0.5A MAX.
  - DIELECTRIC WITHSTANDING VOLTAGE : 500V AC R.M.S. FOR 1 MINUTE.
  - INSULATION RESISTANCE : 100MΩ MIN. AT 500V DC.
  - CONTACT RESISTANCE : 50mΩ MAX.
  - SWITCH RESISTANCE : 100mΩ MAX.
  - DURABILITY : 5000 CYCLES.
  - OPERATING TEMPERATURE : -30° C TO +85° C.

DESCRIPTION OF PLATING ON TERMINALS	
NO.	EXPLAIN
0	GOLD FLASH
1	GOLD 5u"
2	GOLD 10u"

GENERAL TOLERANCE		DWG NO.	APPD.	WIND	Scale
X±0.45	x:±5'	JYSA0909-001			1:1
X±0.35	x'±2'	Title	CHKD:		mm
.XX±0.25	.xx'±1'	1.6H T-flash掀盖式CARD	DR:		
.XXX±0.15	.xxx'±0.5'	Part NO.	Date		
SHEET	1/1	JYS-TF160-020	2011/10/31		


 杰宇森电子有限公司  
 JIE YU SEN ELECTRONIC CO., LTD.