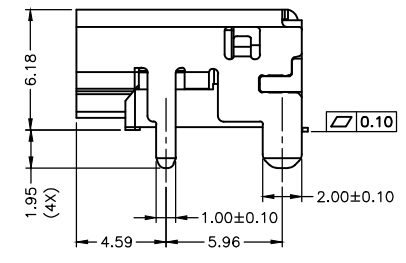
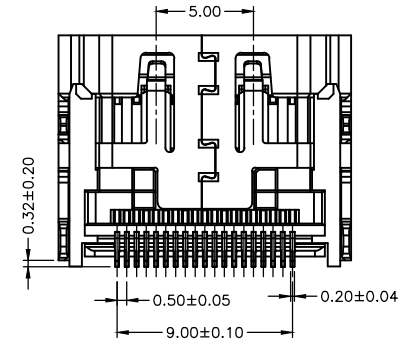
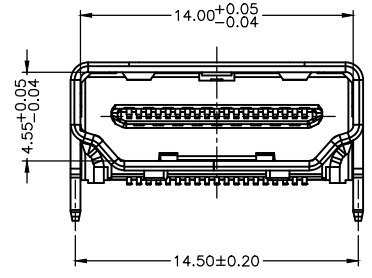
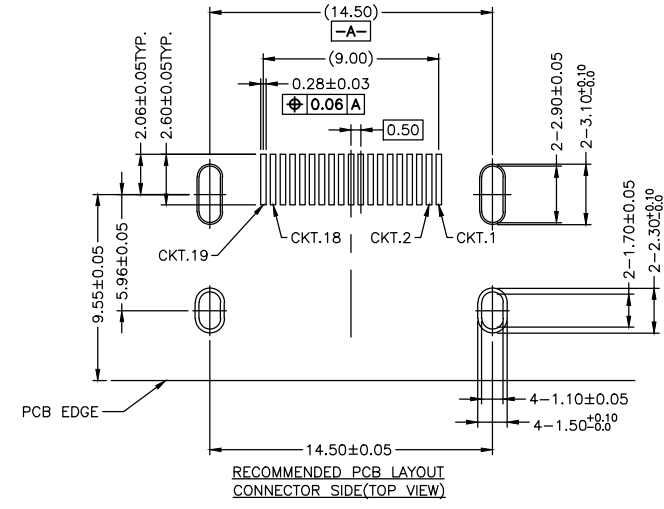
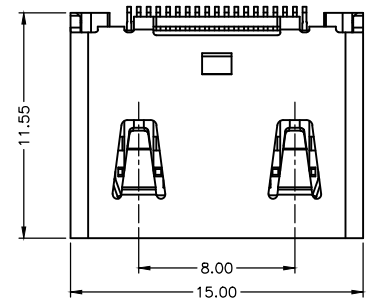


REV.	ECN.NO.	MODIFY.CONTENT	DATE
A		NEW	2015/9/29



NOTES:

- MATERIAL AND FINISH SEE THE TABLE.
- MECHANICAL CHARACTERISTICS
 INSERTION FORCE: 44.1N MAX
 EXTROCTION FORCE: 9.8N MIN, 39.2N MAX
 MATING CYCLE:10000 CYCLES
- ELECTRICAL CHARACTERISTICS
 RATING CURRENT: 0.5A
 RATING VOLTAGE: 40V
 CONTACT RESISTANCE: 10 MILLOHMS OHMS MAX
 (EXCLDUING CONDUCTOR RESISTANCE)
 INSULATION RESISTANCE:
 a, UNMATED: 100M OHMS MIN AT 500 VDC
 b, MATED: 10M OHMS MIN AT 150 VDC
 DIELECTRIC WITHSTANDING VOLTAGE:
 500V AC/1MINUTE
 OPERATING TEMPERATURE: -20°C--+85°C
 STORAGE TEMPERATURE: -20°C--+65°C

03	端子	C2680, T=0.20	底镍50u"Min. 接触区刷金1u"Min, 焊脚区雾锡80u"Min.	1set
02	铜壳	C2680, T=0.50	镀可焊镍50u"Min. (无 LOGO)	1
01	半成品	LCP UL94V-0	黑色	1
NO.	名称	材质	电镀/颜色	数量

GENERAL TOLERANCE		DWG NO.	JYSA0929-008	APPD:	WIND	Scale	1:1
X.±0.45	x.'±5'	Title	HDMI 19PIN A/F CONN 普通型 SMT TYPE	CHKD:		UNIT	mm
.X±0.35	.x'±2'			DR:			
.XX±0.25	.xx'±1'	Part NO.	JYS-HD618-002	Date	2015/09/29		
.XXX±0.15	.xxx'±0.5'						
SHEET	1/1			Shenzhen JYSCONN Electronics Co., LTD.			