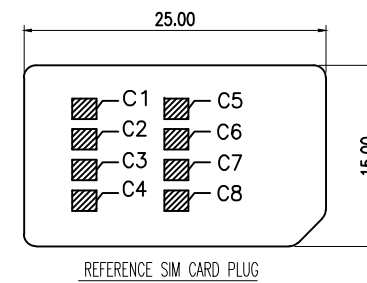
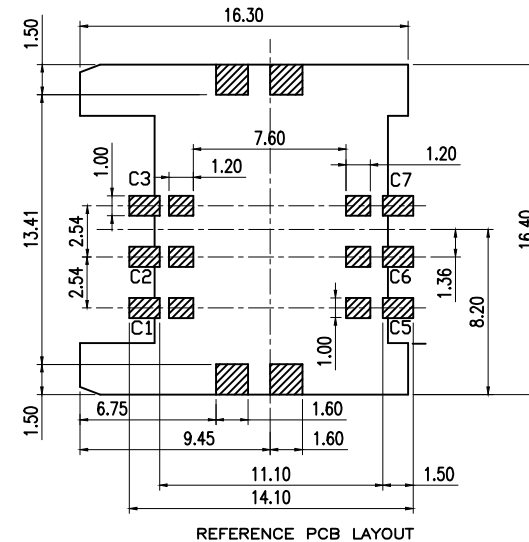
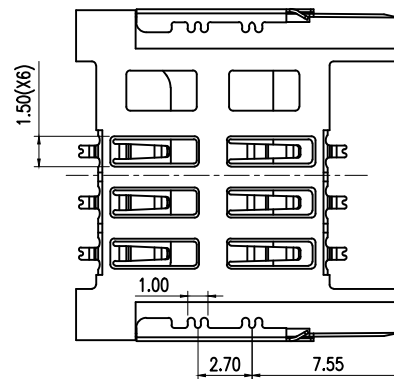
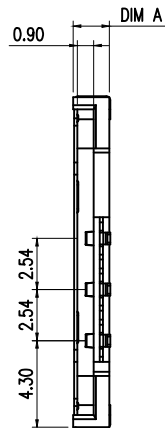
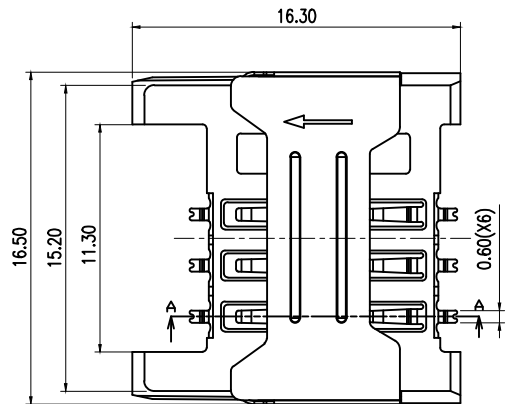
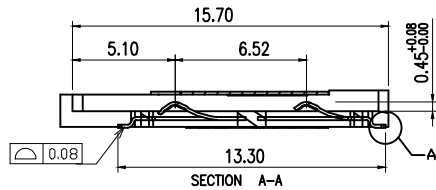


REV.	ECN.NO.	MODIFY.CONTENT	DATE
A		NEW	2014/02/29



NOTES:

- HOUSING MATERIAL:LCP(E5002) UL94V-0;COLOR:BLACK
- CONTACT MATERIAL:C5191-EH,T=0.15±0.01mm
FINISH:50u" MIN. NICKEL UNDER PLATED, PLATED 1u" Au ON CONTACT AREA ;PLATED GOLD FLASH ON SOLDER AREA.
- SHELL MATERIAL:SUS304R-1/2H.
FINISH:50u" MIN. NICKEL UNDER PLATED, PLATED GOLD FLASH ON SOLDER AREA.
- MARKED DIMENSION SHOULD BE MEASURED BY FAI.
- MARKED DIMENSION SHOULD BE CONTROLLED QIP.
- MARKED AREA IS BY CHANGE.

TABLE B:

PIN NO.	PIN NAME
C1	Supply Voltage Vcc
C2	Reset (RST)
C3	Clock(CLK)
C4	N/A
C5	Ground
C6	Programming Voltage Vpp
C7	I/O
C8	N/A

JYS-SIM180-012	1.80	H=1.80
JYS-SIM150-011	1.50	H=1.50
PART NO.	DIM A	NOTE

GENERAL TOLERANCE		DWG NO.	JYSA0525-009	APPD:	WIND	Scale	1:1
X.±0.45	x.*±5°	Title	1.5H/1.8H 顺PIN SIM CARD 6PIN (有档顺向)	CHKD:		UNIT	mm
.X±0.35	.x*±2°			DR:			
.XX±0.25	.xx*±1°	Part NO.	SEE TABLE	Date	2014/02/29		
.XXX±0.15	.xxx*±0.5°	杰宇森电子有限公司 JIE YU SEN ELECTRONIC CO., LTD.					
SHEET	1/1						