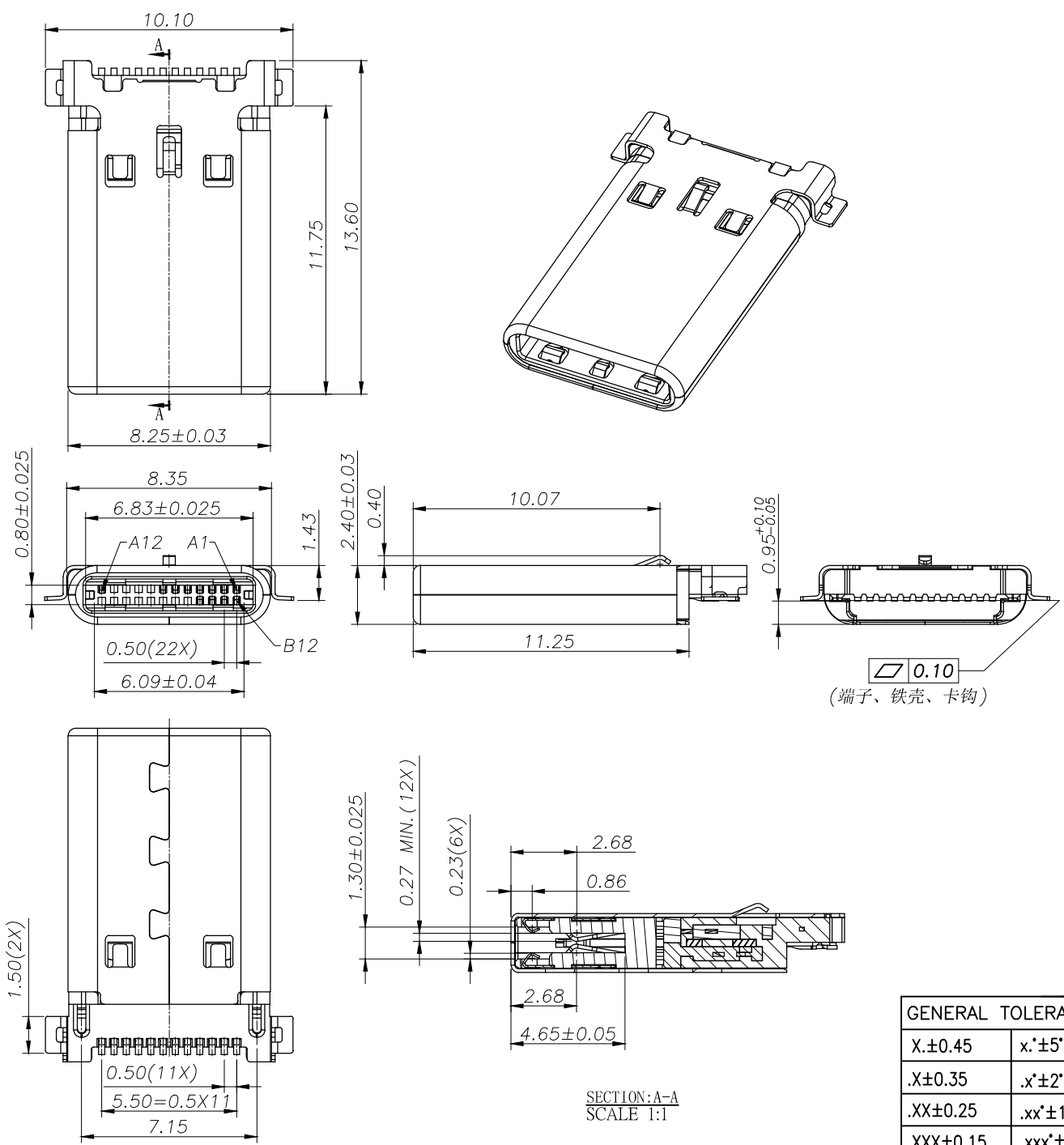


REV.	ECN.NO.	MODIFY.CONTENT	DATE
A		NEW	2020/06/17



NOTE:

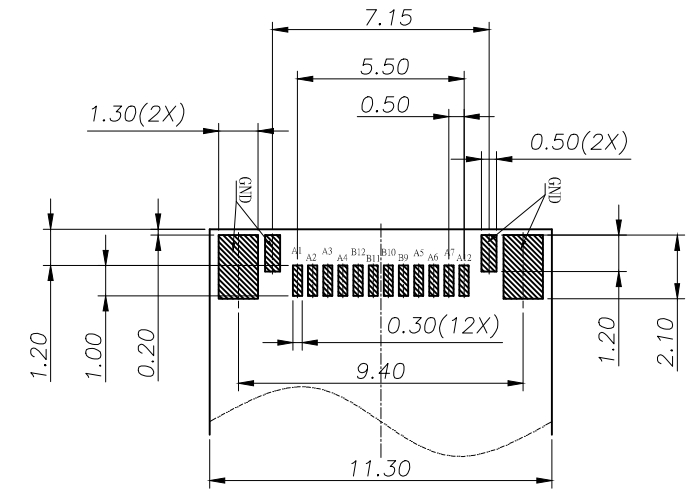
- MATERIAL SPECIFICATION:
 - HOUSING:HIGH TEMPERATURE RESISTANT PLASTIC,UL94 V-0.
 - CONTACTS:COPPER ALLOY
 - MID PLATE: STAINLESS STEEL
 - FRONT SHELL: STAINLESS STEEL
 - EMI PLATE: STAINLESS STEEL
- PLATING SPECIFICATION:
 - CONTACTS:
 - Ni 50u" MIN. UNDER PLATED OVER ALL.
Au PLATED ON THE FUNCTIONAL AREA OF CONTACT.
(GOLD PLATING THICKNESS FOLLOW THE P/N)
80u" MIN TIN PLATED ON SOLDER AREA.
 - FRONT SHELL:
 - Ni 30u" MIN. UNDER PLATED OVER ALL.
 - MID PLATE:
 - Ni 50u" MIN. UNDER PLATED OVER ALL.
 - EMI PLATE:
 - CLEAR ONLY
- MECHANICAL PERFORMANCE,
 - INSERTION FORCE: 0.5~2.0kgf.
 - REMOVAL FORCE: 0.8kgf~2.0kgf.
 - DURABILITY: 10000 CYCLES.
- ELECTRICAL PERFORMANCE,
 - CURRENT RATING:5.0A
VOLTAGE RATING:5.0V
 - LLCR:
 - VBUS & GND PINS AND OTHER PINS: 40mΩ/PIN MAX.
SHIELD: 50mΩ/MAX.
LLCR MAX. CHANGE OF ALL PINS: 10mΩ.
 - INSULATION RESISTANCE: 100MΩ MIN
 - DIELECTRIC WITHSTAND VOLTAGE,AC 100V FOR 1 MINUTE.
- ENVIRONMENTAL PERFORMANCE:
 - OPERATING TEMPERATURE: -25°C~+85°C.
- IR REFLOW:
 - THE PEAK TEMPERATURE ON THE BOARD SHALL BE MAINTAINED FOR 10 SECONDS AT 260°C.

GENERAL TOLERANCE		DWG NO.	JYSA20190617	APPD:	WIND	Scale	1:1
X.±0.45	x.'±5'	Title	TYPE C 12P 公头沉板SMT L=13.6mm	CHKD:		UNIT	mm
.X±0.35	.x'±2'			DR:			
.XX±0.25	.xx'±1'	Part NO.	JYS-USB095-117	Date	2020/06/17		
.XXX±0.15	.xxx'±0.5'						
SHEET	1/3			 JYSCONN Electronics Co., LTD.			

REV.	ECN.NO.	MODIFY.CONTENT	DATE
A		NEW	2020/06/17

USB TYPE-C PIN ASSIGNMENTS

PIN NUMBER	SIGNAL NAME	PIN NUMBER	SIGNAL NAME
A1	GND	B12	GND
A2	SSTXp1	B11	SSRXp1
A3	SSTXn1	B10	SSRXn1
A4	VBus	B9	VBus
A5	CC1	B8	
A6	Dp1	B7	
A7	Dn1	B6	
A8		B5	
A9		B4	
A10		B3	
A11		B2	
A12	GND	B1	

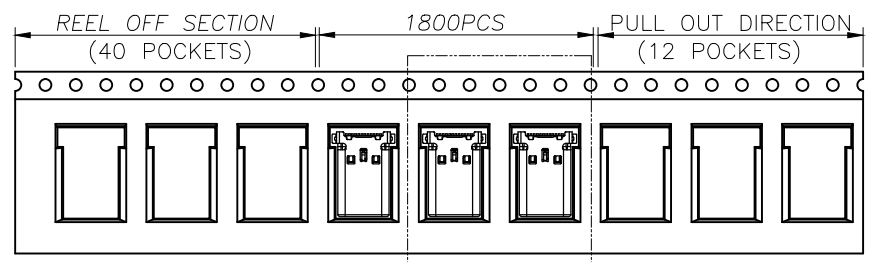


RECOMMENDED PCB LAYOUT(TOP VIEW)

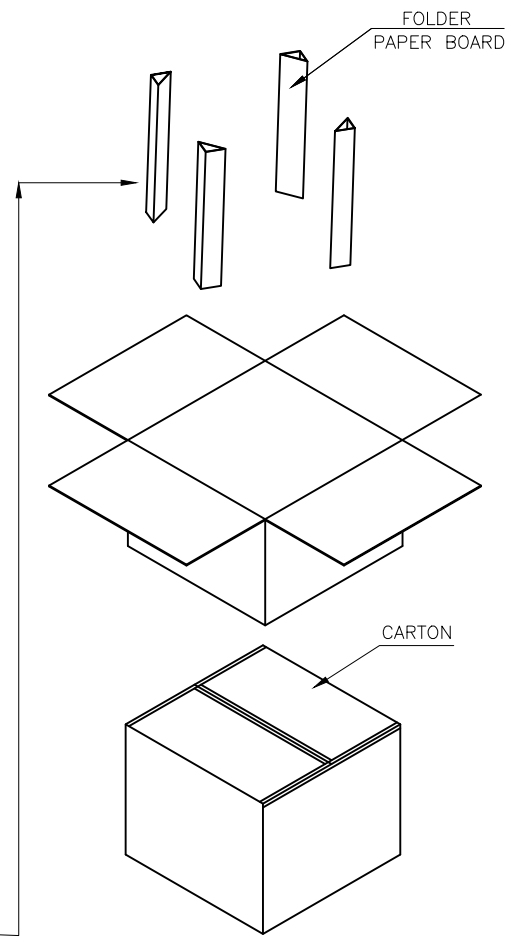
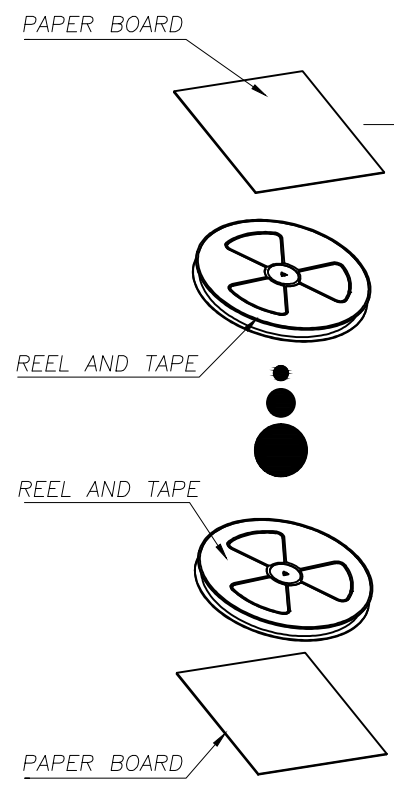
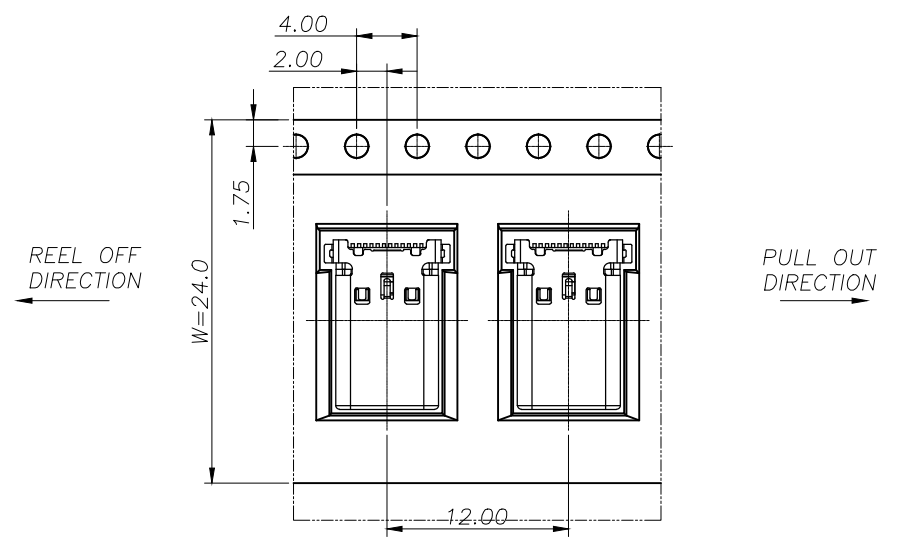
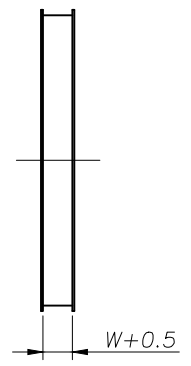
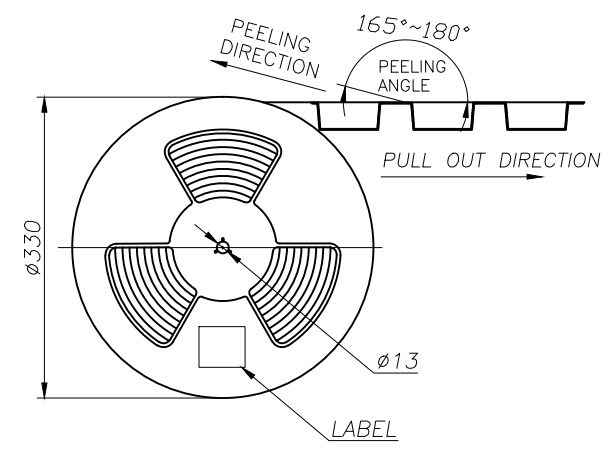
TOLERANCE:±0.05

GENERAL TOLERANCE		DWG NO.	JYSA20190617	APPD:	WIND	Scale	1:1
X.±0.45	x.'±5'	Title	TYPE C 12P 公头沉板SMT L=13.6mm	CHKD:		UNIT	mm
.X±0.35	.x'±2'			DR:			
.XX±0.25	.xx'±1'	Part NO.	JYS-USB095-117	Date	2020/06/17		
.XXX±0.15	.xxx'±0.5'						
SHEET	2/3					 JYSCONN Electronics Co., LTD.	

REV.	ECN.NO.	MODIFY.CONTENT	DATE
A		NEW	2020/06/17



SEE DETAIL X



	REEL	CARTON
CONNECTOR (PCS)	1800	18000

GENERAL TOLERANCE	DWG NO.	JYSA20190617	APPD:	WIND	Scale	1:1
X. ± 0.45	x.' $\pm 5'$	Title	TYPE C 12P 公头沉板SMT	CHKD:	UNIT	mm
.X ± 0.35	.x' $\pm 2'$		L=13.6mm 包装图	DR:		
.XX ± 0.25	.xx' $\pm 1'$	Part NO.	JYS-USB095-117	Date	2020/06/17	
.XXX ± 0.15	.xxx' $\pm 0.5'$					

JYSCOM Shenzhen
JYSCONN Electronics Co., LTD.

SHEET 1/3